



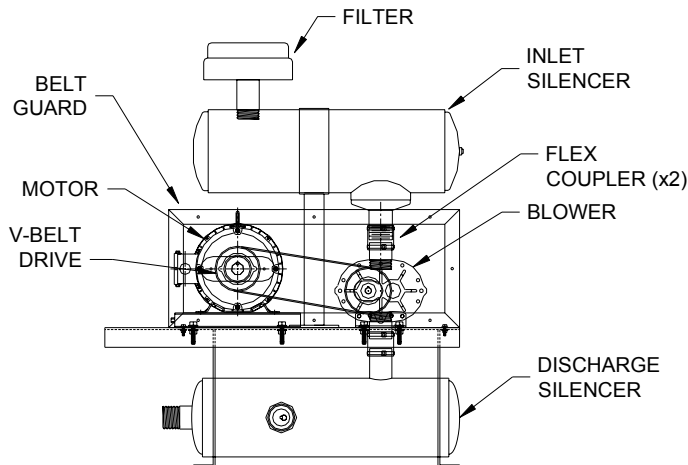
Bridging the Gap  
Between Technology and Industry

# BLOWER PACKAGES

We design our packages to provide you the best combination of components for extended life, quality, and minimal maintenance. We build our packages with an integral base and discharge silencer or a structural steel base with separate silencers. Our engineers will size the silencer, blower, and filter to your performance specifications to obtain maximum sound attenuation, minimum horsepower and minimum overhung load.

## Features Include:

- Standard enamel finish with special paint and optional powder coat finish on base, silencers, and filters for maximum corrosion resistant.
- Compact design for minimum floor space.
- Proper component selection for maximum attenuation.
- Rotary Positive Displacement Blower, Standard Inlet and Discharge Silencers, Inlet Filter, V-Belt Drive, Relief Valve, TEFC Motor, Adjustable Motor Base
- Sound estimates are available for all blower packages.
- Sound enclosures are available for critical installations.



# Pathfinder Systems, Inc.

6301 Deramus Ave. • Kansas City, MO 64120 • (816) 741-0282 • FAX: (816) 587-0282  
E-mail: [mail@pathfindersystems.net](mailto:mail@pathfindersystems.net)



Established 1975