



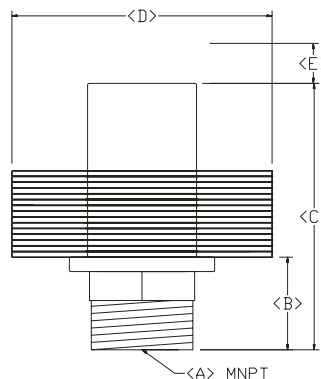
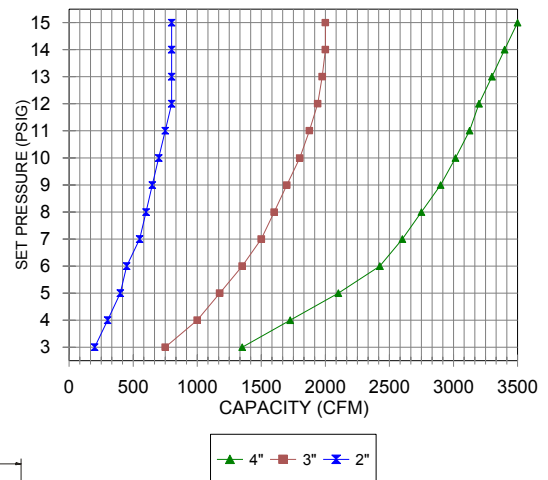
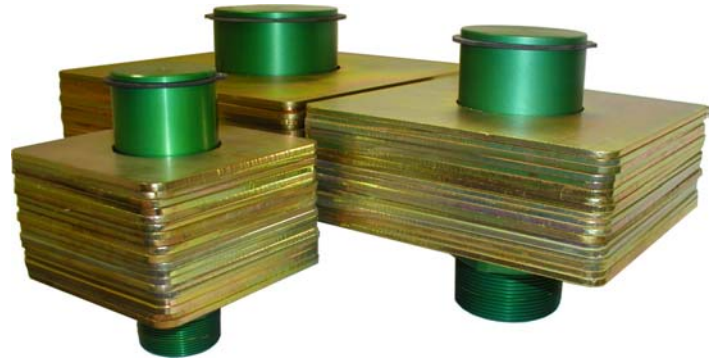
Bridging the Gap
Between Technology and Industry

WEIGHTED RELIEF VALVE

We offer our weighted pressure relief valve 2", 3", and 4" sizes for capacities through 3400 CFM. We couple an elementary design with a high quality anodized and heat-treated aluminum construction to offer reliable performance and simple calibration. Proven design ensures years of reliable service.

Features Include:

- Anodized Aluminum construction for years of trouble-free service;
- 2", 3", and 4" models have standard MPT connections;
- Valves available from 1 PSIG through 29 PSIG with a calibrated ½ PSIG increment per removable disc;
- Simple operation. Line pressure naturally displaces the weighted cap upwards and off the valve seat. As the pressure increases, the valve exposes more vent area for higher flow;
- High flow-through capacity;
- Valve automatically seats itself when the pressure is removed;
- All operating surfaces are machined and the entire valve is heat treated and anodized for the highest quality;
- Minimal maintenance required;
- Simple method of opening and closing insures that the valve is virtually chatter-free;
- Retainer ring ensures valve settings are not tampered with.



Dimensions in Inches

	2"	3"	4"
A	2"	3"	4"
B	2.25	3.25	3.25
C	7.75	8.75	9.25
D*	8.50	12.75	16.50
E**	9.25	10.00	11.00

*0.5 PSIG Increment wgt's diagonal dimension
**Dimension when valve is fully open

Pathfinder Systems, Inc.

6301 Deramus Ave. • Kansas City, MO 64120 • (816) 741-0282 • FAX: (816) 587-0282
E-mail: mail@pathfindersystems.net



Established 1975