

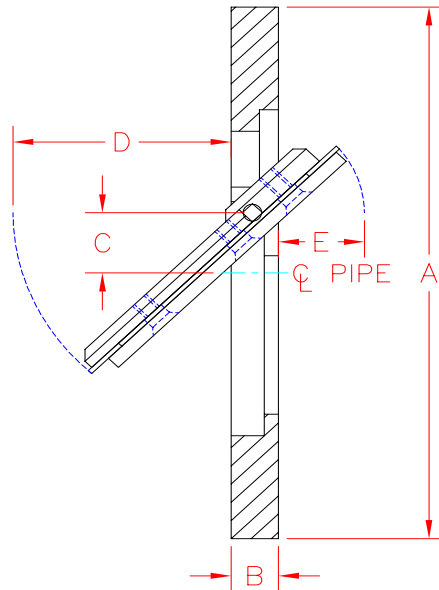


# Check Valve



## Features Include:

We offer our wafer check valves in 3" through 10". These lightweight aluminum valves are designed for installation between two flanges in vertical or horizontal piping systems. For use in the pneumatic and bulk material handling industries to stop flow reversal in air and gas applications. Features a balanced disc where only 33% of the disc area is unbalanced. This is considerably less than conventional check valves. This feature tends to reduce back-flow and eliminate slamming (a major factor in valve failure), and permits the disc to open with a minimum of pressure differential.



Approximate Dimensions in Inches

Valve Size	A	B	C	D	E
3"	5-3/8	5/8	9/16	1-5/8	3/8
4"	6-7/8	5/8	3/4	2-1/4	5/8
5"	7-3/4	5/8	7/8	2-7/8	1-1/8
6"	8-3/4	5/8	1-1/8	3-5/8	1-5/16
8"	11	1	1-3/8	4-1/2	2
10"	13-3/8	1	1-1/2	5-3/4	2-7/8

- Minimum Pressure Drop**  
 Maximum flow due to the low profile, aerodynamic disc design;
- Fast Delivery**  
 Immediate shipment from our large in-house STOCK;
- Simple Design**  
 Only one moving part ensures long, trouble-free service;
- One Piece thru Stem**  
 Stainless steel for strength and durability;
- Low Maintenance Cost**  
 Seat is easily replaced;
- Stem Bushings**  
 Teflon for an extended service life; rated to +500°F;
- Aluminum Body and Disc**  
 Lightweight for easy installation. High strength aluminum alloy for strength and extended service life;
- Teflon Seal**  
 Seal and stem bushings are standard with Teflon for a long service life;
- Wafer Design**  
 Fits between 150# flanges. Minimal space required for lightweight piping applications.



**Pathfinder Systems Swing Check Valve  
Pressure Drop verses Flow (SCFM)**

