

# Weighted Relief Valve

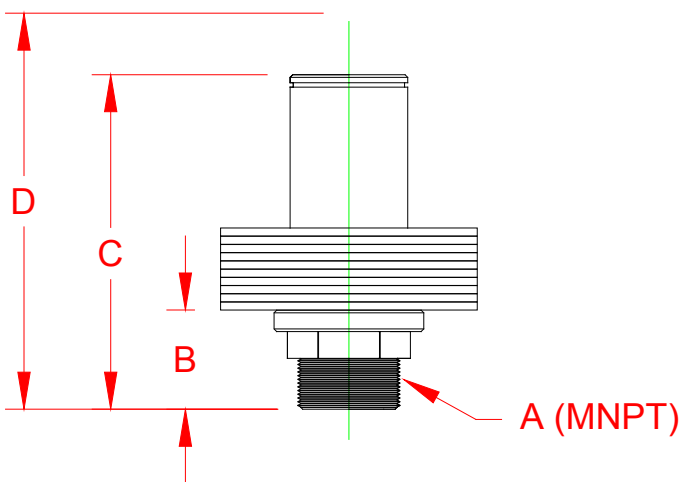


We offer our PRESSURE weighted relief valve in 2", 3", and 4" sizes for capacities through 3400 CFM. We couple an elementary design with a high quality anodized and heat-treated aluminum construction to offer reliable performance and simple calibration. Tamper-proof retainer ring provided. Proven design ensures years of reliable service.

## Features Include:

- Anodized Aluminum construction for years of trouble-free service;
- 2", 3", and 4" models have standard MPT connections;
- Valves available from 1 PSIG thru 29 PSIG with a calibrated PSIG increment per removable disc;
- Simple operation. Line pressure naturally displaces the weighted cap upwards and off the valve seat. As the pressure increases, the valve exposes more vent area for higher flow;
- High flow-through capacity;
- Valve automatically seats itself when the pressure is removed;
- All operating surfaces are machined. The entire valve is heat treated and anodized for the highest quality;
- Minimal maintenance required;
- Simple method of opening and closing insures that the valve is virtually chatter-free;
- Retainer ring ensures valve settings are tamper-proof.

**D = Dimension with Valve Fully Opened**



Dim A	2"	3"	4"
Dim B	2.31"	3.18"	3.31"
Dim C	7.81"	8.68"	8.75"
Dim D	9.25"	10"	11"

WEIGHTS	2"	3"	4"
0.5 PSIG	6" SQ	9.31" SQ	12" SQ
0.5 PSIG Diagonal	8.87"	12.62"	16.37"
1.0 PSIG	8.12" SQ	12.75" SQ	16.37" SQ
1.0 PSIG Diagonal	10.81"	17.43"	22.56"



# Pressure Weighted Relief Valve Sizing Chart

