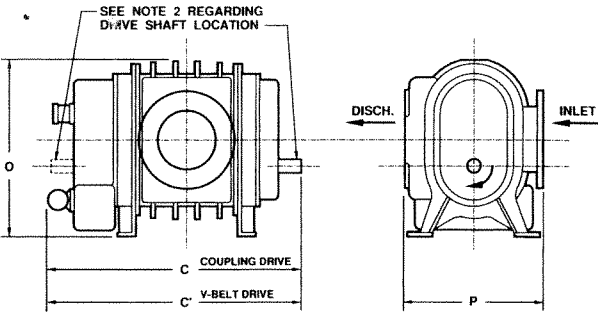
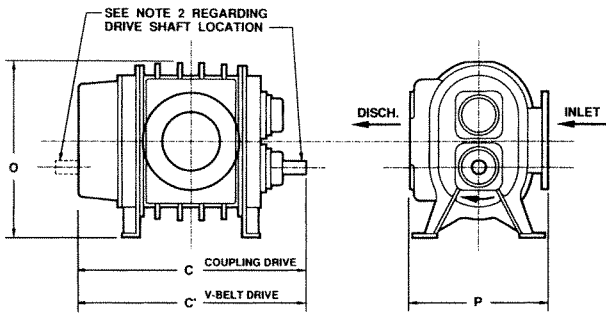


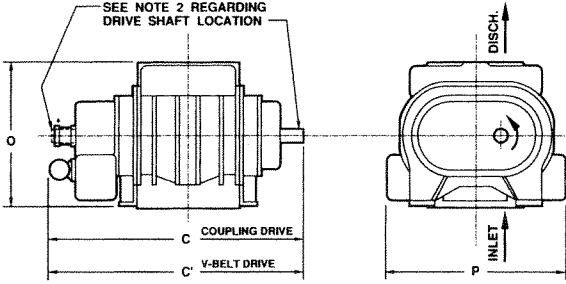
RGS-J HORIZONTAL FLOW



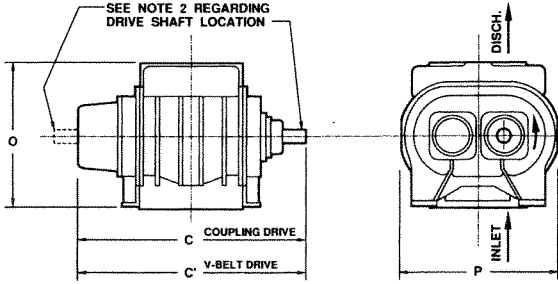
RAS-J HORIZONTAL FLOW



RGS-J VERTICAL FLOW



RAS-J VERTICAL FLOW



FRAME SIZE	PRESSURE LUBE						MAX. WEIGHT	SPLASH LUBE						INLET	DISCH.	
	HORIZONTAL FLOW		VERTICAL FLOW		BOTH			HORIZONTAL FLOW		VERTICAL FLOW		BOTH				
	O	P	O	P	C	C'		O	P	O	P	C	C'			
1006J	34.75	28.50	28.75	36.00	39.56	48.44	2000	34.75	28.50	28.75	30.75	30.50	39.38	1940	6	6
1009J	34.75	28.50	28.75	36.00	42.56	51.44	2110	34.75	28.50	28.75	30.75	33.50	42.38	2050	10	8
1012J	34.75	28.50	28.75	36.00	45.56	54.44	2280	34.75	28.50	28.75	30.75	36.50	45.38	2200	10	8
1016J	34.88	28.50	28.75	36.00	50.06	58.94	2510	34.88	28.50	28.75	30.75	41.00	49.88	2400	12	10
1018J	34.88	28.50	28.75	36.00	52.31	61.19	2590	34.88	28.50	28.75	30.75	43.25	52.13	2450	12	10
1021J	34.88	28.50	28.75	36.00	54.56	63.44	2690	34.88	28.50	28.75	30.75	45.50	54.38	2550	14	12
1024J	34.88	28.50	28.75	36.00	57.56	66.44	3110	34.88	28.50	28.75	30.75	48.50	57.38	3000	14	12
1030J	34.88	28.50	28.75	36.00	63.56	72.44	3660	34.88	28.50	28.75	30.75	45.50	63.38	3500	16	14
1212J	40.50	33.00	33.13	40.00	45.56	49.88	3165	40.50	33.00	33.13	36.75	40.06	44.38	3100	12	10
1216J	40.50	33.00	33.13	40.00	49.56	53.88	3575	40.50	33.00	33.13	36.75	44.06	48.38	3400	14	12
1220J	40.50	33.00	33.13	40.00	53.56	57.88	3795	40.50	33.00	33.13	36.75	48.06	52.38	3650	16	14
1222J	40.50	33.00	33.13	40.00	56.06	60.38	3990	40.50	33.00	33.13	36.75	50.56	54.88	3800	16	14
1225J	40.50	33.00	33.13	40.00	58.56	62.88	4185	40.50	33.00	33.13	36.75	53.06	57.38	4000	16	14
1228J	40.50	33.00	33.13	40.00	62.06	66.38	4345	40.50	33.00	33.13	36.75	56.56	60.88	4150	18	16
1236J	40.50	33.00	33.13	40.00	69.56	73.88	4875	40.50	33.00	33.13	36.75	64.06	68.38	4650	20	18
1414J	47.25	38.50	38.00	45.25	53.38	59.19	4820	47.25	38.50	38.00	43.00	45.13	50.94	4600	14	12
1418J	47.25	38.50	38.00	45.25	57.38	63.19	5130	47.25	38.50	38.00	43.00	49.13	54.94	4900	14	12
1422J	47.25	38.50	38.00	45.25	61.38	67.19	5460	47.25	38.50	38.00	43.00	53.13	58.94	5200	16	14
1425J	47.25	38.50	38.00	45.25	63.88	69.69	5700	47.25	38.50	38.00	43.00	55.63	61.44	5300	18	16
1428J	47.25	38.50	38.00	45.25	66.88	72.69	5950	47.25	38.50	38.00	43.00	58.63	64.44	5650	18	16
1431J	47.25	38.50	38.00	45.25	70.38	76.19	6220	47.25	38.50	38.00	43.00	62.13	67.94	5900	18	16
1435J	47.25	38.50	38.00	45.25	73.88	79.69	6500	47.25	38.50	38.00	43.00	65.63	71.44	6200	20	18
1442J	47.25	38.50	38.00	45.25	80.88	86.69	7090	47.25	38.50	38.00	43.00	72.63	78.44	6750	24	20
1616J	53.75	44.50	43.25	51.00	48.31	--	6185	53.75	44.50	43.25	49.50	48.31	--	5700	14	12
1620J	53.75	44.50	43.25	51.00	52.31	--	6465	53.75	44.50	43.25	49.50	52.31	--	6000	16	14
1625J	53.75	44.50	43.25	51.00	57.31	--	6800	53.75	44.50	43.25	49.50	57.31	--	6300	20	18
1627J	53.75	44.50	43.25	51.00	59.31	--	7135	53.75	44.50	43.25	49.50	59.31	--	6600	20	18
1630J	53.75	44.50	43.25	51.00	62.31	--	7480	53.75	44.50	43.25	49.50	62.31	--	6850	20	18
1633J	53.75	44.50	43.25	51.00	65.31	--	7830	53.75	44.50	43.25	49.50	65.31	--	7250	24	20
1639J	53.75	44.50	43.25	51.00	71.31	--	8370	53.75	44.50	43.25	49.50	71.31	--	7800	24	20
1643J	53.75	44.50	43.25	51.00	75.31	--	8580	53.75	44.50	43.25	49.50	75.31	--	8000	30	24
1648J	53.75	44.50	43.25	51.00	80.31	--	8790	53.75	44.50	43.25	49.50	80.31	--	8200	30	24
1821J	59.25	49.50	48.00	56.00	57.31	--	8440	59.25	49.50	48.00	54.00	57.31	--	7800	18	16
1824J	59.25	49.50	48.00	56.00	60.31	--	8770	59.25	49.50	48.00	54.00	60.31	--	8100	20	16
1827J	59.25	49.50	48.00	56.00	63.31	--	9190	59.25	49.50	48.00	54.00	63.31	--	8400	20	16
1830J	59.25	49.50	48.00	56.00	66.31	--	9610	59.25	49.50	48.00	54.00	66.31	--	8850	24	20
1833J	59.25	49.50	48.00	56.00	69.81	--	10030	59.25	49.50	48.00	54.00	69.81	--	9300	24	20
1838J	59.25	49.50	48.00	56.00	74.31	--	10300	59.25	49.50	48.00	54.00	74.31	--	9600	24	20
1841J	59.25	49.50	48.00	56.00	77.31	--	10450	59.25	49.50	48.00	54.00	77.31	--	9750	30	24
1845J	59.25	49.50	48.00	56.00	81.31	--	10870	59.25	49.50	48.00	54.00	81.31	--	10100	30	24
1849J	59.25	49.50	48.00	56.00	85.31	--	11170	59.25	49.50	48.00	54.00	85.31	--	10400	30	26
1854J	59.25	49.50	48.00	56.00	90.31	--	11470	59.25	49.50	48.00	54.00	90.31	--	10650	30	26
2022J	66.13	54.50	52.75	61.25	61.13	--	10660	66.13	54.50	52.75	61.25	61.13	--	9800	20	16
2026J	66.13	54.50	52.75	61.25	65.13	--	11120	66.13	54.50	52.75	61.25	65.13	--	10250	20	18
2033J	66.13	54.50	52.75	61.25	72.13	--	12130	66.13	54.50	52.75	61.25	72.13	--	11200	24	20
2037J	66.13	54.50	52.75	61.25	76.13	--	13130	66.13	54.50	52.75	61.25	76.13	--	11800	30	24
2040J	66.13	54.50	52.75	61.25	78.63	--	13630	66.13	54.50	52.75	61.25	78.63	--	12450	30	24
2044J	66.13	54.50	52.75	61.25	82.63	--	14130	66.13	54.50	52.75	61.25	82.63	--	13100	30	24
2050J	66.13	54.50	52.75	61.25	88.63	--	14850	66.13	54.50	52.75	61.25	88.63	--	13800	30	26
2055J	66.13	54.50	52.75	61.25	93.63	--	15340	66.13	54.50	52.75	61.25	93.63	--	14300	36	30
2060J	66.13	54.50	52.75	61.25	98.63	--	15830	66.13	54.50	52.75	61.25	98.63	--	14750	36	30