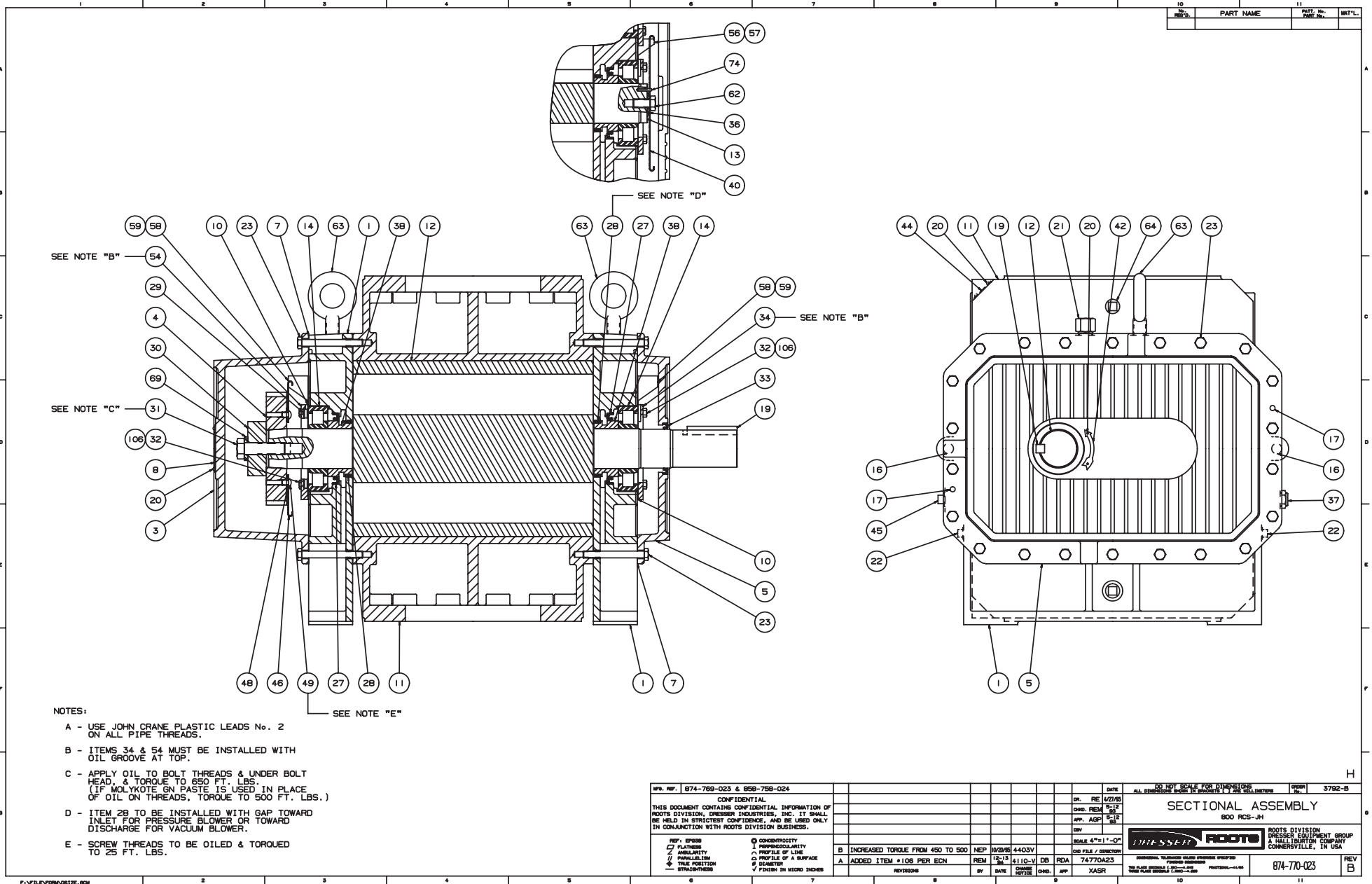


- NOTES:**
- A - USE JOHN CRANE PLASTIC LEADS No. 2 ON ALL PIPE THREADS.
  - B - ITEMS 34 & 54 MUST BE INSTALLED WITH OIL GROOVE AT TOP.
  - C - APPLY OIL TO BOLT THREADS & UNDER BOLT HEAD, & TORQUE TO 850 FT. LBS. (IF MOLYKOTE GN PASTE IS USED IN PLACE OF OIL ON THREADS, TORQUE TO 500 FT. LBS.)
  - D - ITEM 28 TO BE INSTALLED WITH GAP TOWARD INLET FOR PRESSURE BLOWER OR TOWARD DISCHARGE FOR VACUUM BLOWER.
  - E - SCREW THREADS TO BE OILED & TORQUED TO 25 FT. LBS.

WPN. REF. 858-757-024 & 867-734-013		DATE		DO NOT SCALE FOR DIMENSIONS		DWN. 3792-B	
CONFIDENTIAL		DR. RE	4/2/83	ALL DIMENSIONS UNLESS OTHERWISE SPECIFIED		REV. 1	
THIS DOCUMENT CONTAINS CONFIDENTIAL INFORMATION OF ROOTS DIVISION, DRESSER INDUSTRIES, INC. IT SHALL BE HELD IN STRICTEST CONFIDENCE, AND BE USED ONLY IN CONNECTION WITH ROOTS DIVISION BUSINESS.		CHG. REM	10/11	SECTIONAL ASSEMBLY		ROOTS DIVISION	
		APP. AGP	10/11	800 RCS-JV		ROOTS DIVISION DRESSER EQUIPMENT GROUP	
		REV. 1		SCALE 4"=1'-0"		A HALL INVENTION COMPANY	
				DOWNSIDE TO PRESSURE BLOWER UPWARD FOR VACUUM BLOWER		CONNERSVILLE, IN USA	
REF. SYMBOL	CONTOUR	B	INCREASED TORQUE FROM 450 TO 500	REP	10/2/83	4403V	
FLATNESS	PERPENDICULARITY	A	ADDED ITEM #105 PER ECN	REM	10/2/83	4110-V DB RDA	74769A23
ANGULARITY	PROFILE OF A SURFACE			BY	DATE	CHG. NOTICE	CHG. APP
PARALLELISM	DIAMETER						
TRUE POSITION	FINISH IN MICRO INCHES						
STRAIGHTNESS							
		REVISED		XASR		874-769-023	

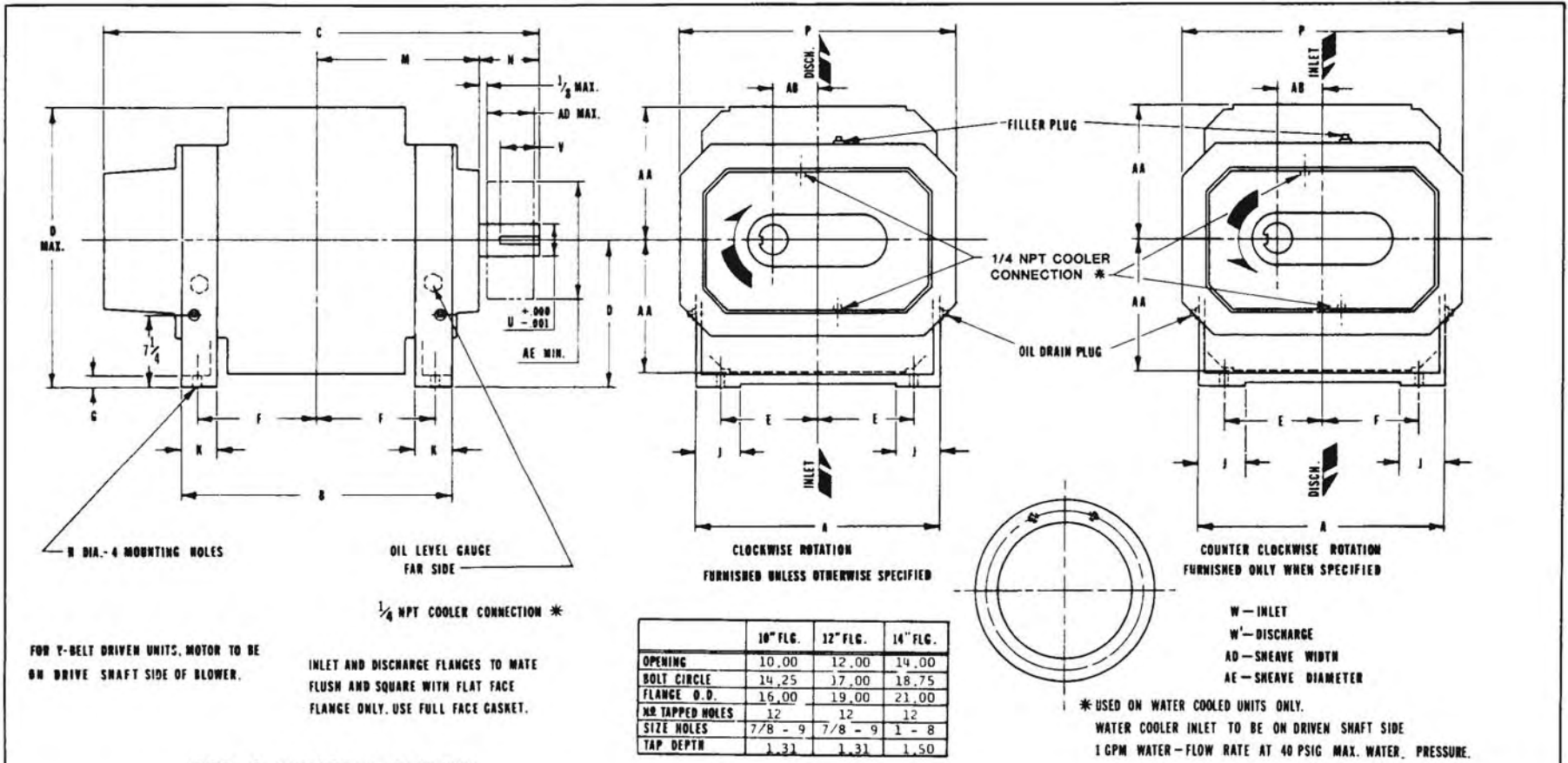
Figure 6 - Assembly of RCS-J WHISPAIR Vertical Style Blowers



- NOTES:
- A - USE JOHN CRANE PLASTIC LEADS No. 2 ON ALL PIPE THREADS.
  - B - ITEMS 34 & 54 MUST BE INSTALLED WITH OIL GROOVE AT TOP.
  - C - APPLY OIL TO BOLT THREADS & UNDER BOLT HEAD, & TORQUE TO 650 FT. LBS. (IF MOLYKOTE GN PASTE IS USED IN PLACE OF OIL ON THREADS, TORQUE TO 500 FT. LBS.)
  - D - ITEM 28 TO BE INSTALLED WITH GAP TOWARD INLET FOR PRESSURE BLOWER OR TOWARD DISCHARGE FOR VACUUM BLOWER.
  - E - SCREW THREADS TO BE OILED & TORQUED TO 25 FT. LBS.

W.P. REF. 874-769-023 & 858-758-024		DATE		DO NOT SCALE FOR DIMENSIONS		OWNER	
CONFIDENTIAL		DR. RE 4/21/85		ALL DIMENSIONS UNLESS OTHERWISE SPECIFIED		3792-B	
THIS DOCUMENT CONTAINS CONFIDENTIAL INFORMATION OF ROOTS DIVISION, DRESSER INDUSTRIES, INC. IT SHALL BE HELD IN STRICTEST CONFIDENCE, AND BE USED ONLY IN CONNECTION WITH ROOTS DIVISION BUSINESS.		DMD. REM. SCL. 1/2"		SECTIONAL ASSEMBLY		ROOTS DIVISION	
		APP. AGR. SCL. 1/2"		800 RCS-JH		DRESSER EQUIPMENT GROUP	
		DIV		SCALE 4"=1'-0"		A HALLIBURTON COMPANY	
		REV. 12-13		DMD. FILE / CORRECTED		CONNEYSVILLE, IN USA	
		DATE		DRA 74770A23		874-770-023	
		CHG. NOTICE		APP XASR		REV B	
REF. SYMBOL		CONCENTRICITY		INCREASED TORQUE FROM 450 TO 500		W.P. 8/2/85 4403V	
□ PLAINNESS		IRREGULARITY		A. ADDED ITEM # 106 PER EGN		REM 12-13	
/ ANIMALITY		PROFILE OF LINE		REV 12-13		DB RDA	
// PARALLELISM		PROFILE OF A SURFACE		DATE		CHG. NOTICE	
⊕ TRUE POSITION		DIAMETER		REV 12-13		DB RDA	
- STRAIGHTNESS		FITCH IN MICRO INCHES		DATE		CHG. NOTICE	

Figure 7 - Assembly of RCS-J WHISPAIR Horizontal Style Blowers



**RCS-J WHISPAIR BLOWER**

	10" FLG.	12" FLG.	14" FLG.
OPENING	10.00	12.00	14.00
BOLT CIRCLE	14.25	17.00	18.75
FLANGE O.D.	16.00	19.00	21.00
NR TAPPED HOLES	12	12	12
SIZE HOLES	7/8 - 9	7/8 - 9	1 - 8
TAP DEPTH	1.31	1.31	1.50

FRAME SIZE	A	B	C	D	E	F	G	H	J	K	M	N	O	P	U	V	KEYWAY	W	W'	AA	AB	AD	AE	OIL CAPACITY		APPROX. WEIGHT
																								G.E.	D.E.	
817JW	22.00	24.25	38.63	13.00	8.75	10.75	1.00	1.00	4.00	3.25	14.50	5.00	25.75	25.00	2.75	4.00	.625 x .313	10" FLG	10" FLG	12.75	4.00	7.19	13.2	256 FL. OZ.	120 FL. OZ.	1620 LBS.
821JW	"	27.88	42.25	"	"	12.56	"	"	"	"	16.31	"	"	"	"	"	"	12" FLG	10" FLG	"	"	"	"	"	"	1800 LBS.
826JW	"	33.13	47.50	"	"	15.19	"	"	"	"	18.94	"	"	"	"	"	"	12" FLG	12" FLG	"	"	"	"	"	"	2075 LBS.
832JW	"	38.50	52.88	"	"	17.88	"	"	"	"	21.63	"	"	"	"	"	"	14" FLG	12" FLG	"	"	"	"	"	"	2325 LBS.

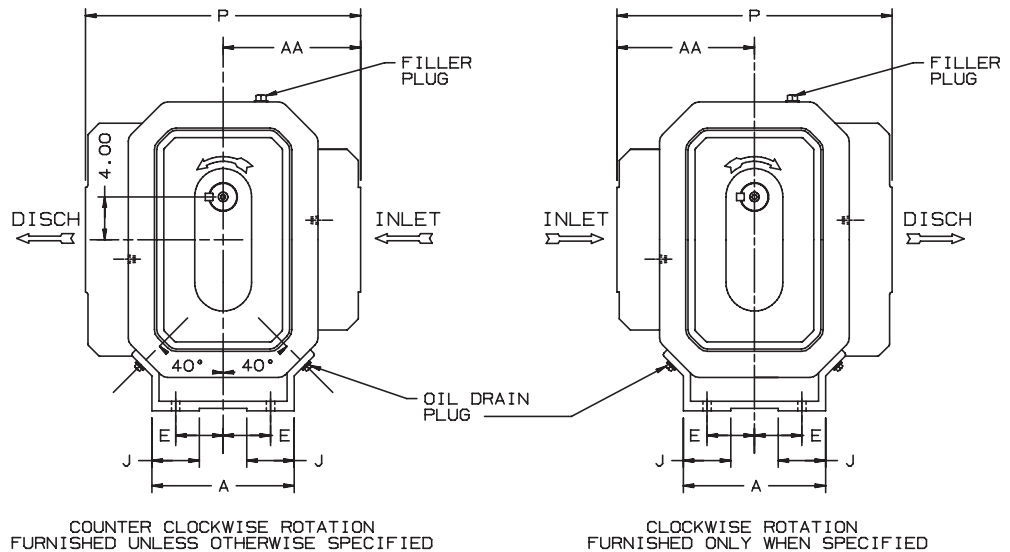
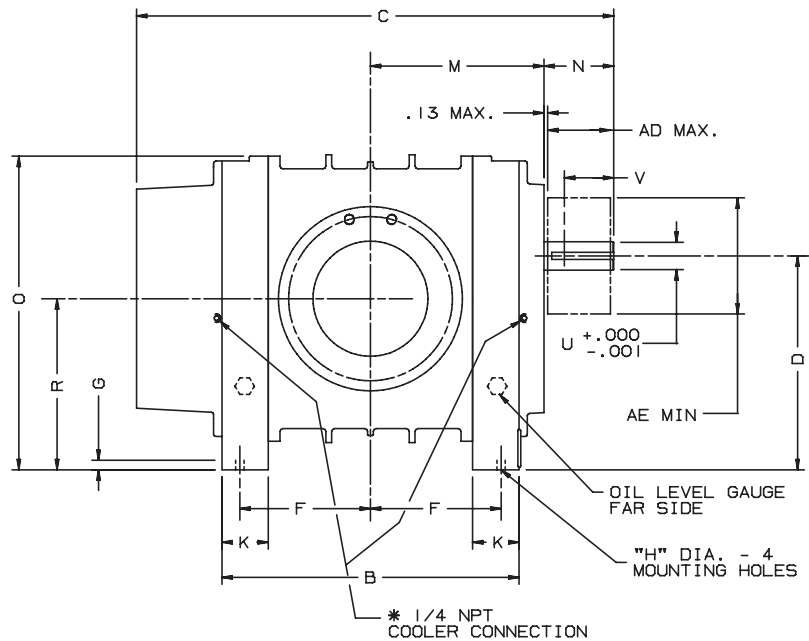
CERTIFIED CORRECT FOR CUSTOMER ORDER NO. _____ ROOTS ORD. NO. _____ DATE _____	V-BELT DRIVE DATA	
	BELTS	_____
	DRIVE SHEAVE	_____
	DRIVER SHEAVE	_____
	CENTER DISTANCE	_____



DRESSER INDUSTRIES, INC.  
 ROOTS OPERATIONS  
 900 WEST MOUNT STREET, CONNERSVILLE, INDIANA 47331  
 TELEPHONE: 317/825-2181

**858-791-021**

COOLER CON., REV. 100 8021V 10 9 74 \* COOLER CONNECTIONS ADDED 8/12/82 REM REV. PER ECN 2820V 4/22/82 NS



FOR V-BELT DRIVEN UNITS  
MOTOR TO BE LOCATED ON  
INLET SIDE OF BLOWER

INLET AND DISCHARGE FLANGES TO MATE  
FLUSH AND SQUARE WITH FLAT FACE  
FLANGES ONLY. USE FULL FACE GASKETS

\* USED ON OIL COOLED UNITS ONLY.  
WATER COOLER INLET TO BE ON DISCHARGE SIDE OF HEADPLATE.  
1 GPM WATER-FLOW RATE AT 40 PSIG MAX. WATER PRESSURE.

W - INLET  
W' - DISCHARGE  
AD - SHEAVE WIDTH  
AE - SHEAVE DIAMETER  
ALL DIMENSIONS IN INCHES

	10"FLG	12"FLG	14"FLG
OPENING	10.00	12.00	14.00
BOLT CIRCLE	14.25	17.00	18.75
FLANGE O.D.	16.00	19.00	21.00
No TAPPED HOLES	12	12	12
SIZE HOLES	7/8-9	7/8-9	1 - 8
TAP DEPTH	1.31	1.13	1.50

FRAME SIZE	A	B	C	D	E	F	G	H	J	K	M	N	O	P	R	U	V	KEYWAY	W	W'	AA	AD	AE	OIL CAPACITY		APPROX WEIGHT
																								G.E.	D.E.	
817	13.75	24.25	38.63	21.00	4.63	10.75	1.00	1.00	3.50	3.25	14.50	5.00	30.00	25.50	7.00	2.75	4.00	.625 X .313	10"FLG	10"FLG	12.75	7.19	13.2	144FL.OZ.	80FL.OZ.	1620 LBS
821	"	27.88	42.25	"	"	12.56	"	"	"	"	16.31	"	"	"	"	"	"	"	12"FLG	10"FLG	"	"	"	"	"	1800 LBS
826	"	33.13	47.50	"	"	15.19	"	"	"	"	18.94	"	"	"	"	"	"	"	12"FLG	12"FLG	"	"	"	"	"	2075 LBS
832	"	38.50	52.00	"	"	17.88	"	"	"	"	21.63	"	"	"	"	"	"	"	14"FLG	12"FLG	"	"	"	"	"	2325 LBS

CERTIFIED CORRECT FOR				V-BELT DRIVE DATA		RCS-J WHISPAIR BLOWER		Dresser ROOTS, Dresser, Inc. Connersville, IN USA											
CUSTOMER ORDER No. _____				BELTS															
ROOTS ORDER No. _____		B REV DIM (F) ON 832		RDR 7323V						DRIVE SHEAVE									
DATE _____		A REVISED PER ECN		MS 2820V						DRIVEN SHEAVE									
		REVISIONS		BY		CHKD.		APP.		CENTER DISTANCE		DBN DR		CHKD APP		58792021		REV. B	

Figure 8 - Vertical and Horizontal Blower Oil Cooler Installation

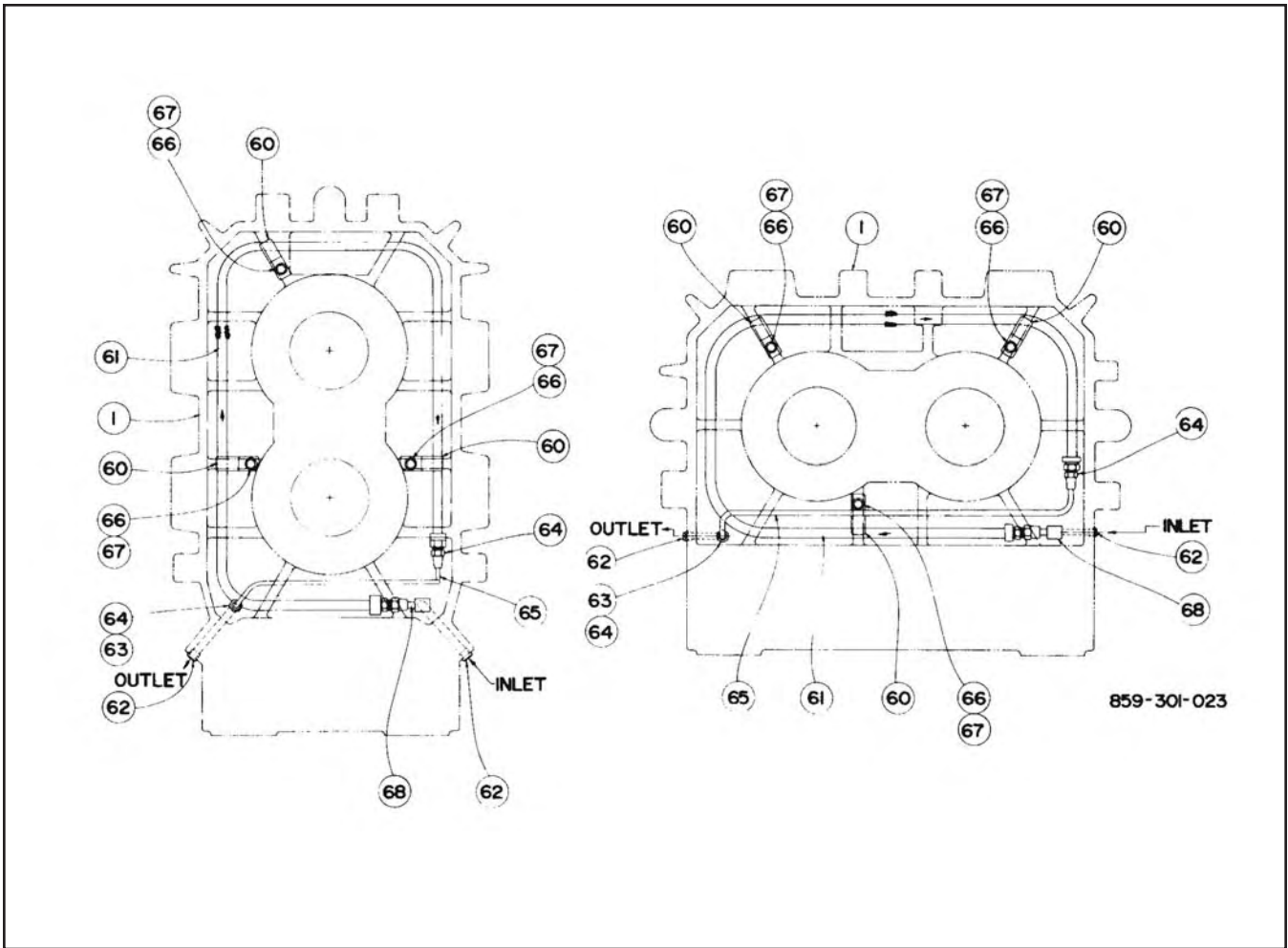


Table 7 - Parts Identification List for Figure 8

Item #	Part Name	Qty.
1	Headplate	2
60	Clamp - Oil Cooler	6
61	Oil Cooler	2
62	Cover Plug - Inlet, Outlet	4
63	Union	2
64	Union Nut	4
65	Copper Tubing	2
66	Lockwasher	6
67	Capscrew	6
68	Adapter	2