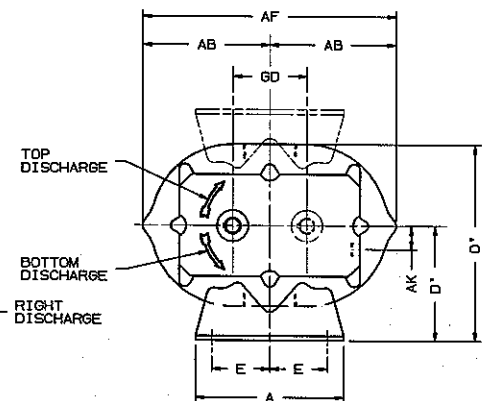
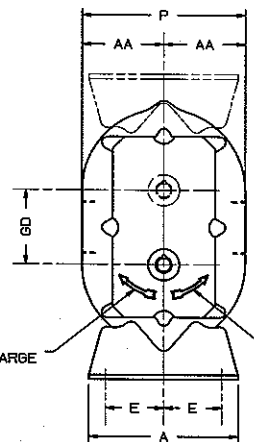
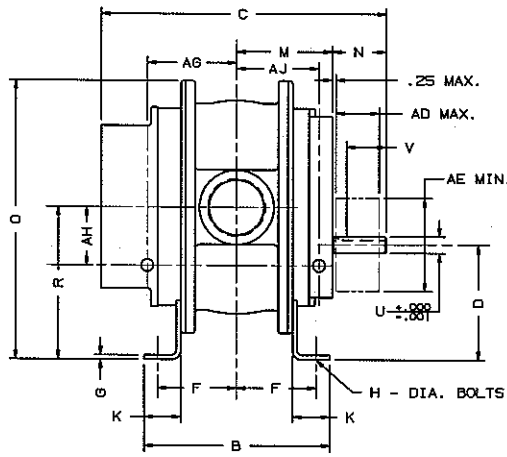


Assembly of UNIVERSAL RAI Series - DSL with Splash Lubricated Drive End 3-5" Gear Diameter

FRAME	APPROX. OIL CAPACITY			
	GEAR END SUMP		DRIVE END SUMP	
	VERTICAL	HORIZONTAL	VERTICAL	HORIZONTAL
3-1/2	8.5 FL. OZ.	16.0 FL. OZ.	4.0 FL. OZ.	6.5 FL. OZ.
4	12.7 FL. OZ.	22.8 FL. OZ.	5.5 FL. OZ.	10.8 FL. OZ.
5	16.0 FL. OZ.	27.6 FL. OZ.	7.5 FL. OZ.	14.8 FL. OZ.

No. RED'D.	PART NAME	PATT. No. PART No.	MAT'L.



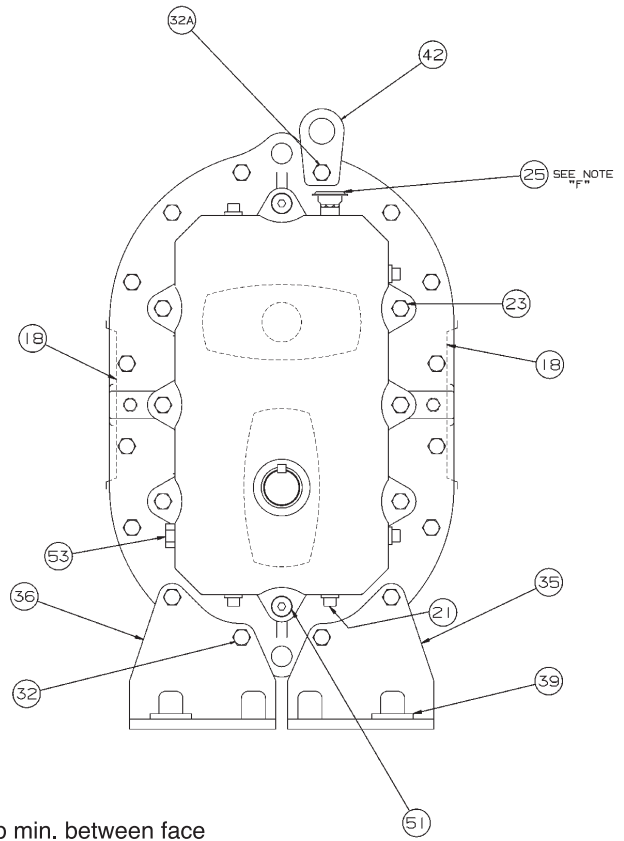
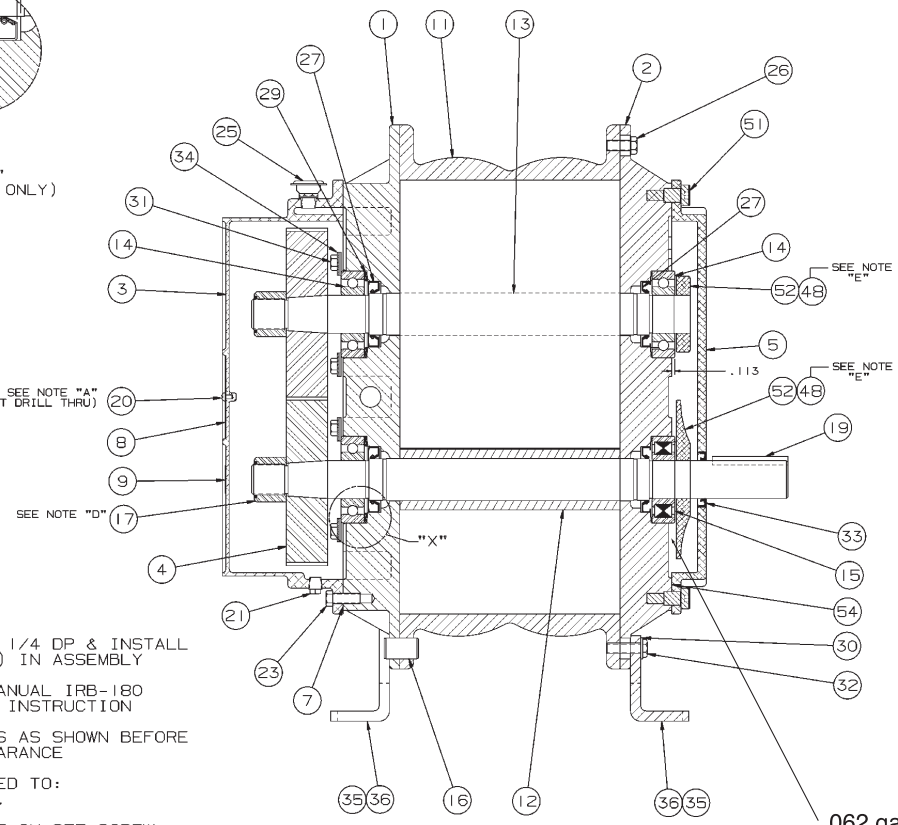
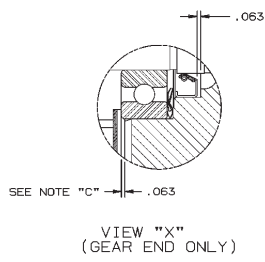
W - INLET & DISCHARGE
AD - SHEAVE WIDTH
AE - SHEAVE DIAMETER

ALL DIMENSIONS IN INCHES

UNIVERSAL[®] RAI DSL BLOWER

FRAME SIZE	GD	A	B	C	D	D'	E MIN.	E MAX.	F MIN.	F MAX.	G	H	K	M	N	O	O'	P	R	U	KEYWAY	W NPT.	V	AA	AB	AD	AE	AF	AG	AH	AJ	AK	APPROX. WT. LBS
32	3.50	7.25	6.75	11.25	5.00	5.00	2.50	2.98	2.56	2.81	.25	.44	1.75	3.53	2.28	12.81	6.88	7.75	6.75	.750	188x.094	1-1/4"	1.63	3.88	6.06	1.91	5.00	12.13	3.25	2.75	2.88	1.13	72
33	"	"	7.63	12.13	"	"	"	"	3.00	3.25	"	"	"	3.87	"	"	"	"	"	"	2"	"	"	"	"	"	"	"	"	"	"	"	77
36	"	"	10.00	14.63	"	"	"	"	4.18	4.44	"	"	"	5.18	2.40	"	"	"	"	"	2-1/2"	1.75	"	"	"	"	"	"	"	"	"	"	105
42	4.00	8.00	7.25	13.00	6.25	6.25	3.00	3.13	2.50	3.13	.31	.44	2.00	3.78	3.08	15.06	10.63	8.75	8.25	.875	188x.094	1-1/2"	2.31	4.38	6.81	2.31	5.00	13.63	3.57	3.00	3.00	1.21	92
45	"	"	10.00	15.50	"	"	"	"	3.56	4.25	"	"	"	5.18	2.84	"	"	"	"	"	2-1/2"	2.13	"	"	"	"	"	"	"	"	"	"	113
47	"	"	11.75	17.63	"	"	"	"	4.63	5.38	"	"	"	6.03	3.22	"	"	"	"	"	3"	2.50	4.25	"	"	"	"	"	"	"	"	"	132
53	5.00	10.50	8.38	15.38	6.25	6.75	3.50	3.50	3.18	3.68	.25	.50	1.88	4.53	3.68	17.38	11.88	10.28	8.75	1.125	25 x 125	2-1/2"	2.75	5.13	8.63	3.06	6.00	17.25	4.32	4.13	3.84	1.63	148
56	"	"	11.00	17.50	"	"	"	"	4.25	5.00	"	"	"	5.84	3.34	"	"	"	"	"	4"	2.50	5.50	"	"	"	"	"	"	"	"	"	175
59	"	"	14.00	21.00	"	"	"	"	6.00	6.50	"	"	"	7.34	3.84	"	"	"	"	"	4"	3.00	"	"	"	"	"	"	"	"	"	"	208

WFO. REF.											DATE	DO NOT SCALE FOR DIMENSIONS ALL DIMENSIONS SHOWN IN BRACKETS () ARE MILLIMETERS										ORDER No.									
CONFIDENTIAL															DR. RK	06/06/03	ASSY DIM 32-59 URAI DSL VH														
THIS DOCUMENT CONTAINS CONFIDENTIAL INFORMATION OF DRESSER ROOTS, DRESSER, INC. IT SHALL BE HELD IN STRICTEST CONFIDENCE, AND BE USED ONLY IN CONJUNCTION WITH DRESSER ROOTS BUSINESS.															CHND. RK	06/06/03															
															APP. AGP	08/18/03															
															GBV																
REF: EP858															SCALE NTS				DIMENSIONAL TOLERANCES UNLESS OTHERWISE SPECIFIED FINISHED DIMENSIONS												
<ul style="list-style-type: none"> □ FLATNESS ∠ ANGULARITY ∥ PARALLELISM ⊕ TRUE POSITION ⊥ STRAIGHTNESS ⊙ CONCENTRICITY ⊥ PERPENDICULARITY — PROFILE OF A LINE — PROFILE OF A SURFACE ∅ DIAMETER √ FINISH IN MICRO INCHES PARTS/XXAD 62735a21 															CAD FILE / DIRECTORY				TO PLACE ORDERS (1-800-4-DRESSER) FOR TECHNICAL DATA												
A ADDED SIGHT GLASS LOCATING DIMENSIONS															RDG	2/2/04	T240	AGP	AGP	DRESSER ROOTS, DRESSER, Inc. HOUSTON, TX USA										REV A	
REVISIONS															BY	DATE	CHANGE NOTICE	CHND.	APP	T30355021											



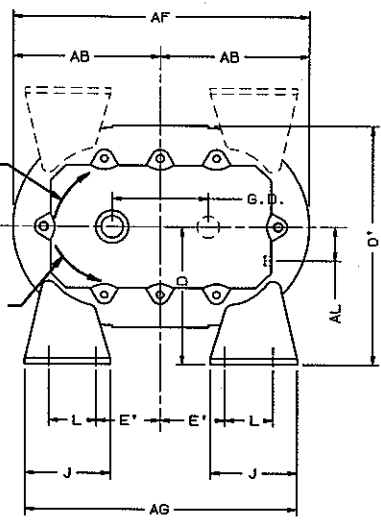
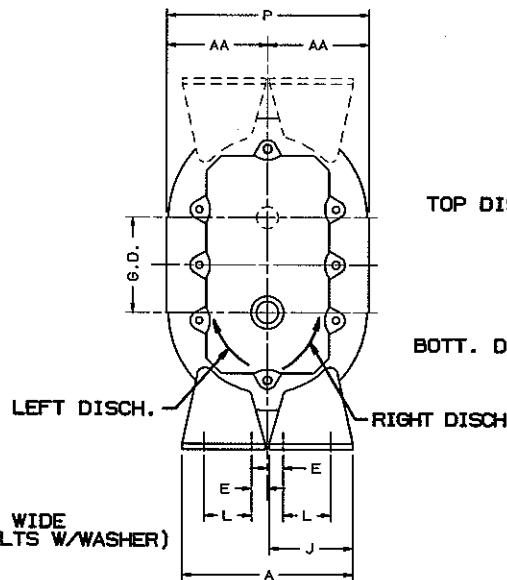
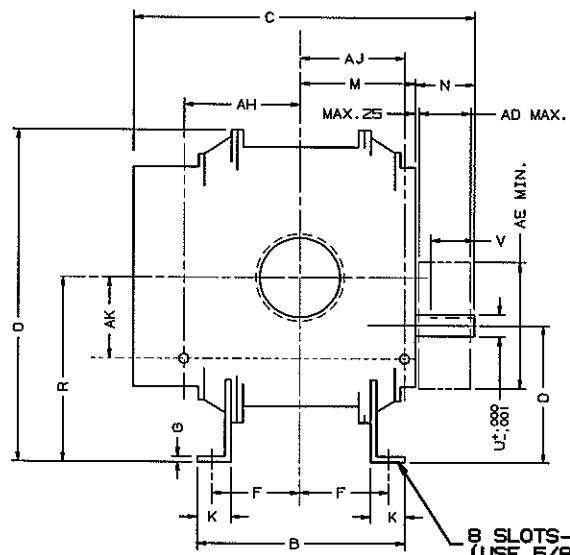
- NOTES
- A #25(.150) DRILL 1/4 DP & INSTALL ITEM 20 (SCREWS) IN ASSEMBLY
 - B SEE OPERATING MANUAL IRB-180 FOR LUBRICATION INSTRUCTION
 - C INSTALL BEARINGS AS SHOWN BEFORE SETTING END CLEARANCE
 - D NUT TO BE TORQUED TO: 6"---400 LB. FT.
 - E USE RED LOCKTITE ON SET SCREW THREADS. MUST HAVE .06 CLEARANCE BETWEEN SLINGER & BEARING
 - F LOOKING AT THE DRIVE SHAFT END.
 - a) BREATHER MUST BE MOUNTED ON RIGHT SIDE FOR VERTICAL, LEFT OR RIGHT DISCHARGE UNIT
 - b) BREATHER MUST BE MOUNTED ON LEFT SIDE FOR HORIZONTAL, TOP DISCHARGE UNIT

W.P. REF.	62900A23	DATE	DR. RK 8/14/53
CONFIDENTIAL			
THIS DOCUMENT CONTAINS CONFIDENTIAL INFORMATION OF DRESSER ROOTS, DRESSER, INC. IT SHALL BE HELD IN STRICTEST CONFIDENCE, AND BE USED ONLY IN CONNECTION WITH DRESSER ROOTS BUSINESS.			
REF. SYMBOL	DESCRIPTION	DATE	BY
C	ADDED ITEM 32A	ANP 8/1/56	7631 V
B	REMOVED ITEM 44	AJK 6/2/55	7527 V
A	REV NOTE "E" ADDED CLEARANCE		
A	ADDED ITEM 44& REVOMED 55&4 Y	RDR 5/1/56	7418 V
REVISED		BY	DATE

DO NOT SCALE FOR DIMENSIONS		ALL DIMENSIONS ARE TO CENTER UNLESS OTHERWISE SPECIFIED	
SECTIONAL ASSEMBLY			
FOR 6" UNIVERSAL RAI BLOWER WITH TAPER GEAR FIT			
Dresser, Roots, Dresser, Inc.		Houston, TX USA	
T30382023		REV C	

Assembly of UNIVERSAL RAI Series - DSL with Splash Lubricated Drive End 6" Gear Diameter

No. REV'D.	PART NAME	PATT. No. PART No.	MAT'L.
------------	-----------	--------------------	--------



8 SLOTS-7/8 WIDE
(USE 5/8 BOLTS W/WASHER)

W-INLET
W'-DISCHARGE
AD-SHEAVE WIDTH
AE-SHEAVE DIA.
ALL DIM. IN INCHES

6" FLG	
OPENING	6.00
BOLT CIRCLE	9.50
FLANGE O.D.	11.00
NO. TAPPED HOLES	8
SIZE HOLES	3/4-10
TAP DEPTH	1.13

UNIT SIZE	APPROX. OIL CAP. (IN FL. OZ.)				G.D.
	BEAR END	DRIVE END	BEAR END	DRIVE END	
6"	28.3	15.5	52.1	30.5	6.00

FRAME SIZE	A	B	C	D	E	E'	F	G	J	K	L	M	N	O	O'	P	R	U	V	KEYWAY	W	W'	AA	AB	AD	AE	AF	AG	AH	AJ	AK	AL	APPROX WEIGHT
65	11.00	10.00	18.39	8.75	1.00	4.00	3.81	.38	5.38	2.13	3.00	5.66	3.53	21.63	15.13	12.75	11.75	1.375	2.75	.312x.156	3"NPT	3"NPT	6.39	9.69	3.44	8.00	19.75	17.00	6.06	4.97	5.13	2.13	290 LBS
68	13.00	21.38	"	"	"	"	5.81	"	"	"	"	7.16	3.66	"	"	"	"	"	"	"	5"NPT	5"NPT	"	"	"	"	"	"	7.43	6.47	"	"	290 LBS
615	20.00	28.38	"	"	"	"	8.81	"	"	"	"	10.66	"	"	16.25	15.00	"	"	"	"	6"FLG	6"FLG	7.50	"	"	"	"	"	10.93	9.97	"	"	430 LBS

MFG. REF. 62753021

CONFIDENTIAL
THIS DOCUMENT CONTAINS CONFIDENTIAL INFORMATION OF DRESSER ROOTS, DRESSER, INC. IT SHALL BE HELD IN STRICTEST CONFIDENCE, AND BE USED ONLY IN CONJUNCTION WITH DRESSER ROOTS BUSINESS.

- REF: EP938
- FLATNESS
 - ∠ ANGULARITY
 - // PARALLELISM
 - ⊕ TRUE POSITION
 - STRAIGHTNESS
 - CONCENTRICITY
 - ⊥ PERPENDICULARITY
 - PROFILE OF LINE
 - PROFILE OF A SURFACE
 - ⌀ DIAMETER
 - √ FINISH IN MICRO INCHES

OR. RK	08/15/03
CHD. RK	08/15/03
APP. AGP	08/15/03
DBV	
SCALE NTS	
CAD FILE / DIRECTORY	
REVISIONS	BY DATE CHANGE NOTICE CHD. APP
A	ADDED SIGHT GLASS LOCATING DIMS. RDG 2/9/04 T240 AGP AGP

DO NOT SCALE FOR DIMENSIONS
ALL DIMENSIONS SHOWN IN BRACKETS () ARE MILLIMETERS

DIMENSIONAL DRAWING
6" U-RAI DSL BLOWER

DRESSER
Roots

Dresser ROOTS, Dresser, Inc.
Houston, TX USA

T30381021

REV A