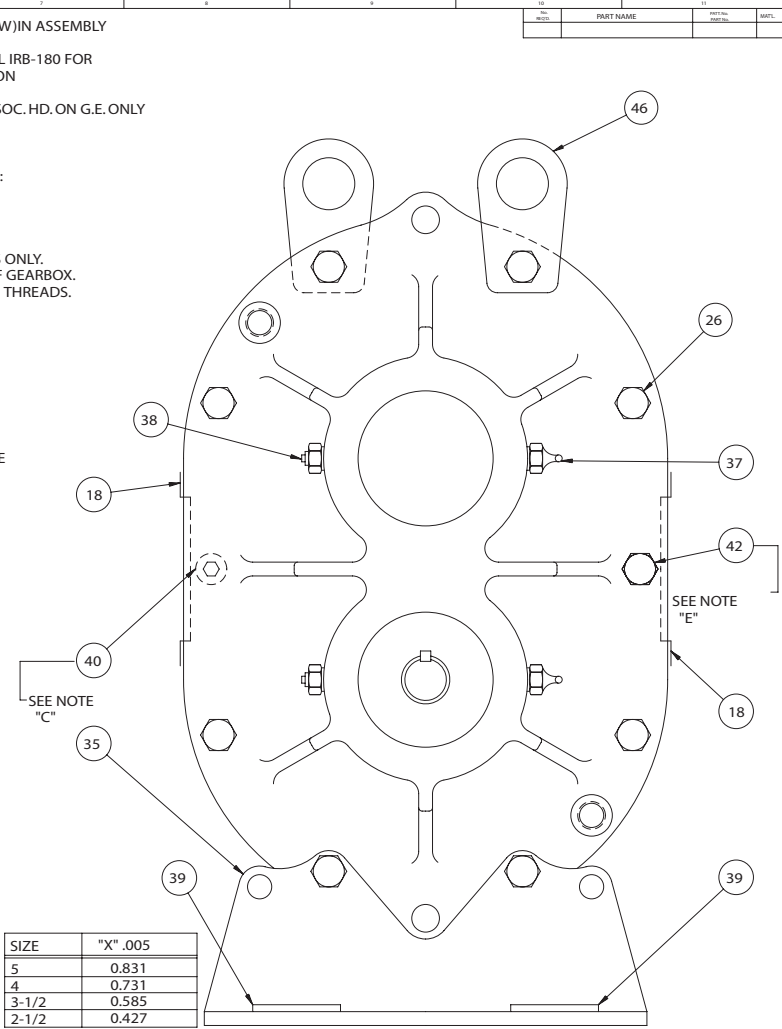
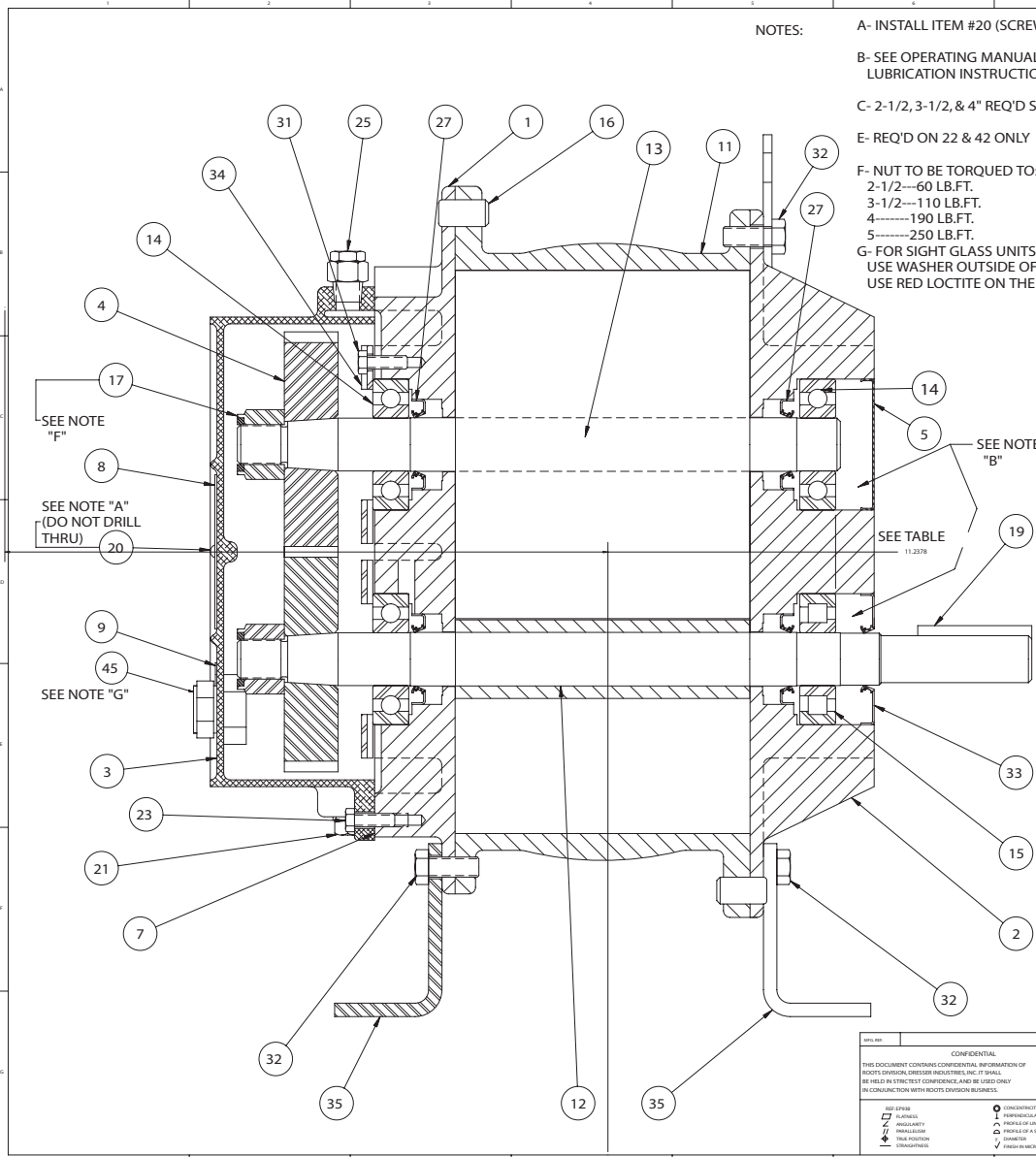


10	11	12
REV	PART NAME	DATE

- NOTES:
- A- INSTALL ITEM #20 (SCREW) IN ASSEMBLY
 - B- SEE OPERATING MANUAL IRB-180 FOR LUBRICATION INSTRUCTION
 - C- 2-1/2, 3-1/2, & 4" REQ'D SOC. HD. ON G.E. ONLY
 - E- REQ'D ON 22 & 42 ONLY
 - F- NUT TO BE TORQUED TO:
 - 2-1/2---60 LB.FT.
 - 3-1/2---110 LB.FT.
 - 4-----190 LB.FT.
 - 5-----250 LB.FT.
 - G- FOR SIGHT GLASS UNITS ONLY. USE WASHER OUTSIDE OF GEARBOX. USE RED LOCTITE ON THE THREADS.



SIZE	"X" .005
5	0.831
4	0.731
3-1/2	0.585
2-1/2	0.427

J	ADD LIFTING LUG ITEM #6	RE	B155	T1-22	ACP				
H	ADD ITEM #4 FOR SIGHT GLASS UNITS	RE	B155	BR-K7	ACP				
G	DELETED ITEM #1	VC	0001	T-5-1					
F	REVISED PER ECN	JHB	11-01	1804-V					
E	INCREASED GEAR NUT TORQUE	JHB	11-08	1572V	FCR	AP		1.5	1.5
D	ITEM #5 REVISED PER ECN	REM	07	3539V					
C	LUBRICATION NOTE B REVISED	REM	02		FCR	AP		1.2	1.2
B	ITEM #43 MOVED	DS	11-06		FCR				
A	REV PER ECN	RM	02-26		FCR	AP			

DO NOT SCALE FOR DIMENSIONS

SECTIONAL ASSEMBLY
2-1/2 THRU 5" U-RAI BLOWERS
TAPER BORE GEARS

DRESSER
Roots
DRESSER ROOTS, DRESSER, INC.
HOUSTON, TX

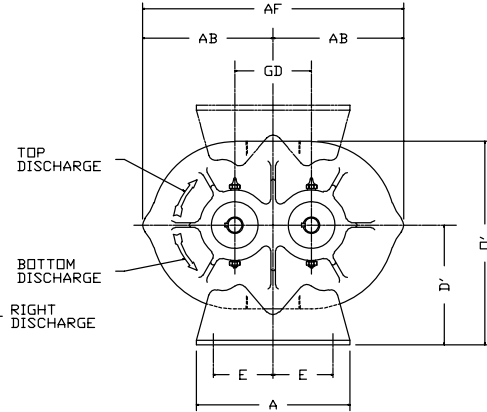
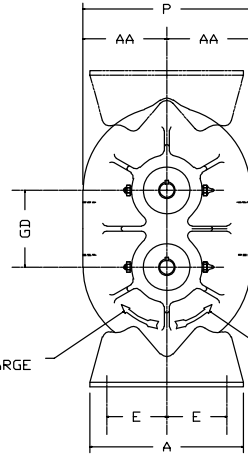
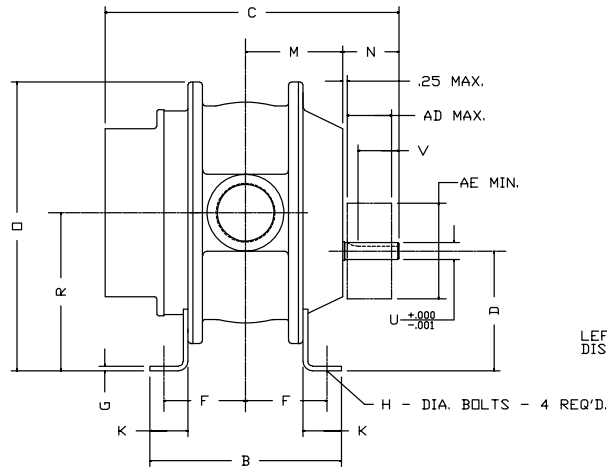
64720023

REV J

Assembly of UNIVERSAL RAI Series, Air Blowers, 2-1/2" Through 5" Gear Diameter

FRAME	APPROX. OIL CAPACITY	
	VERTICAL	HORIZONTAL
2-1/2	3.4 FL. OZ.	6.1 FL. OZ.
3-1/2	8.5 FL. OZ.	16 FL. OZ.
4	12.7 FL. OZ.	22.8 FL. OZ.
5	16.0 FL. OZ.	27.6 FL. OZ.

No. REQ'D.	PART NAME	PATT. No. PART No.	MAT'L.



W - INLET & DISCHARGE
 AD - SHEAVE WIDTH
 AE - SHEAVE DIAMETER

ALL DIMENSIONS IN INCHES

UNIVERSAL[®] RAI BLOWER

FRAME SIZE	GD	A	B	C	D	D'	E MIN.	E MAX.	F MIN.	F MAX.	G	H	K	M	N	O	O'	P	R	U	KEYWAY	W NPT.	V	AA	AB	AD	AE	AF	APPROX. WT. LBS
22	2.5	5.13	5.00	9.75	3.75	3.75	1.50	2.00	2.00	2.00	.25	.38	1.25	2.63	2.50	9.63	6.88	6.25	5.00	.625	.188x.094	1"	1.81	3.13	4.63	1.75	4.00	9.25	32
24			7.00	11.75					3.00	3.00				3.63							2"							43	
32	3.50	7.25	6.75	11.25	5.00	5.00	2.50	2.88	2.56	2.81	.25	.44	1.75	3.38	2.44	12.81	8.88	7.75	6.75	.750	.188x.094	1-1/4"	1.63	3.88	6.06	1.91	5.00	12.13	69
33			7.63	12.13					3.00	3.25				3.81							2"							74	
36			10.00	14.63					4.18	4.44				5.00	2.56						2-1/2"	1.75						102	
42	4.00	8.00	7.25	13.00	6.25	6.25	3.00	3.13	2.50	3.13	.31	.44	2.00	3.68	3.18	15.06	10.63	8.75	8.25	.875	.188x.094	1-1/2"	2.31	4.38	6.81	2.31	5.00	13.63	88
45			10.00	15.50					3.56	4.25				5.06	2.94						2-1/2"	2.13						109	
47			11.75	17.63					4.63	5.38				5.94	3.31		10.50	8.50			3"	2.50	4.25				128		
53	5.00	10.50	8.38	15.38	6.25	6.75	3.50	3.50	3.18	3.68	.25	.50	1.88	4.50	3.68	17.38	11.88	10.25	8.75	1.125	.25 x.125	2-1/2"	2.75	5.13	8.63	3.06	6.00	17.25	143
56			11.00	17.50					4.25	5.00				5.81	3.38		12.25	11.00			4"	2.50	5.50				170		
59			14.00	21.00					6.00	6.50				7.31	3.88						4"	3.00						204	

MFG. REF.	CONFIDENTIAL	DATE	8/29/84
THIS DOCUMENT CONTAINS CONFIDENTIAL INFORMATION OF ROOTS DIVISION, DRESSER INDUSTRIES, INC. IT SHALL BE HELD IN STRICTEST CONFIDENCE, AND BE USED ONLY IN CONJUNCTION WITH ROOTS DIVISION BUSINESS.	DR. DB	CHKD.	
REF: EP938	REVISION ON 'C' FROM 18.00 TO 17.50	APP. FCR	
⊖ CONCENTRICITY	D UPDATED TITLE BLOCK 9/25/91	DBV	
□ FLATNESS	C CORRECTED FRAME 36 REM 8/14/90	SCALE	
∠ ANGULARITY	B ADDED FRAME 32 RVE 6/22/90	CAD FILE / DIRECTORY	
∥ PARALLELISM	A REV. FRAM 59 REM 6/9/88		
⊕ TRUE POSITION			
— STRAIGHTNESS			
⊙ PERPENDICULARITY			
— PROFILE OF LINE			
— PROFILE OF A SURFACE			
∅ DIAMETER			
✓ FINISH IN MICRO INCHES			
/PARTS/XXAD 62795021			

DO NOT SCALE FOR DIMENSIONS
 ALL DIMENSIONS SHOWN IN BRACKETS () ARE MILLIMETERS

ORDER No.

ASSY DIM 22-59 URAI VH

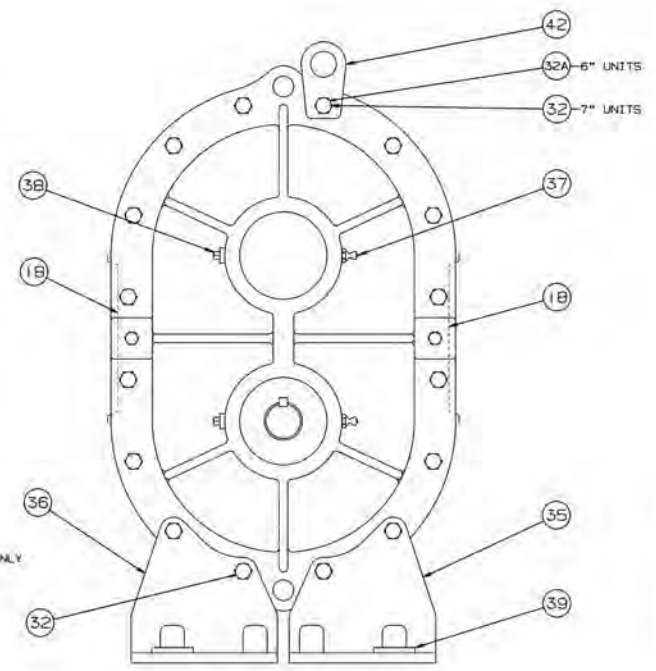
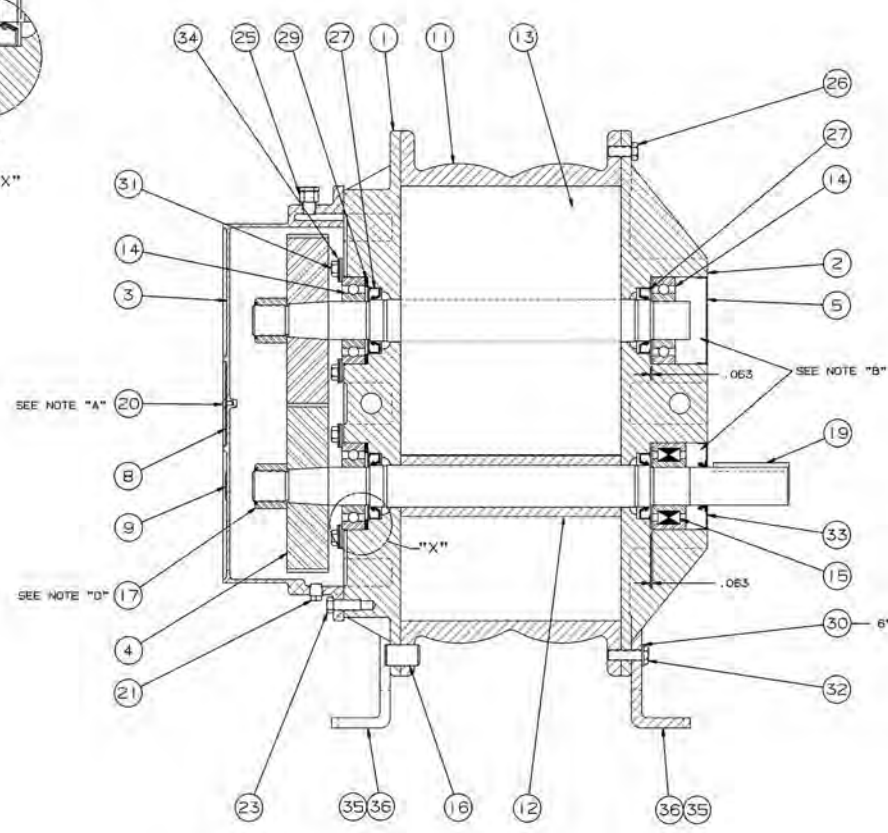
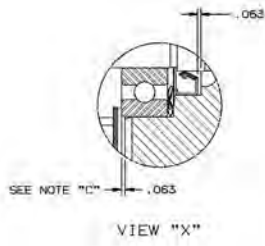
ROOTS DIVISION
 DRESSER EQUIPMENT GROUP
 A HALLIBURTON COMPANY
 CONNERSVILLE, IN USA

DIMENSIONAL TOLERANCES UNLESS OTHERWISE SPECIFIED
 FINISHED DIMENSIONS
 TWO PLACE DECIMALS 000--0.015 FRACTIONAL--1/64
 THREE PLACE DECIMALS 0000--0.005

62795021

REV E

REV.	PART NAME	QTY.	MAT'L.
------	-----------	------	--------



- NOTES
- A INSTALL ITEM #20 (SCREW) IN ASSEMBLY
 - B SEE OPERATING MANUAL IRB-103 FOR LUBRICATION INSTRUCTION
 - C INSTALL BEARINGS AS SHOWN BEFORE SETTING END CLEARANCE
 - D NUT TO BE TORQUED TO:
6"---400 LB. FT.
7"---550 LB. FT.

- ① 35779
- ② 33862V
- ③ 35500V

REV. NO.		64792023		DATE		08-12-82		DO NOT SCALE FOR DIMENSIONS		PART NO.		64792023	
CONFIDENTIAL													
THIS DOCUMENT CONTAINS CONFIDENTIAL INFORMATION OF ROOTS DIVISION, DRESSER INDUSTRIES, INC. IT SHALL BE HELD IN STRICTEST CONFIDENCE, AND BE USED ONLY IN CONNECTION WITH ROOTS DIVISION BUSINESS.													
REV. / QTY.	DATE	BY	CHKD.	APP.	DATE	BY	CHKD.	APP.	DATE	BY	CHKD.	APP.	DATE
11	ADDED ITEM 352	AKP	02/08	7831V									
15	REMOVED ITEM 344	AKP	02/08	7832V									
16	ADDED ITEM 418	REP	04/05	7419V									
ROOTS DIVISION DRESSER EQUIPMENT GROUP A HALLIBURTON COMPANY HOUSTON, TX USA													
										64792023		REV. H	

Assembly of UNIVERSAL RAI Blowers, 6" and 7" Diameter

