

ROOTS™ EASYAIR® X2 Factory Blower Package System

Package Standard Equipment

- Bi- or tri-lobe splash lubricated blower
- Acoustic enclosure with robust painting system
- Drive motor is high efficiency, TEFC enclosure with 1.15 service factor
 - Or provide us with your specified motor requirements and let Roots provide the solution
- Self-tensioning V-belt drive
- Inlet filter/silencer with polyester element
- Discharge silencer (non-packed; multi-chamber)
- Non-electric enclosure vent fan
- Vibration isolation pads



- Panel-mounted filter restriction gauge, system pressure/vacuum gauge, discharge temperature gauge
- Discharge flexible connector
- Check valve
- Pressure relief valve
- Oil drain manifold with sight gauge

Basic Blower Package Description

The ROOTS™ EASYAIR® X2 system is the most cost-effective factory designed blower package available for you:

- Wastewater & water treatment needs.
- Pneumatic conveying & bulk handling needs.
- Process air needs.

A vastly improved design based on the popular EASYAIR® 8000 product line features that you have come to trust and rely on. The EASYAIR® X2 system provides the best of performance engineering in a standard package. It can be configured to meet unique requirements and is suitable for pressure or vacuum applications.

Package Design Features

- Easy to install, with the industry's smallest footprint. Electrical access through the floor or rear panel gives you the flexibility you need at your site.
- Unique, automatic belt-tensioning system is counter-balanced, optimizing the life of the v-belts. No special jacks are required to lift the motor when replacing belts (saving time and effort).
- Side-by-Side installation allows for more efficient use of your available space.
- Keyed locking panels allow easy filter maintenance and safe access to equipment.

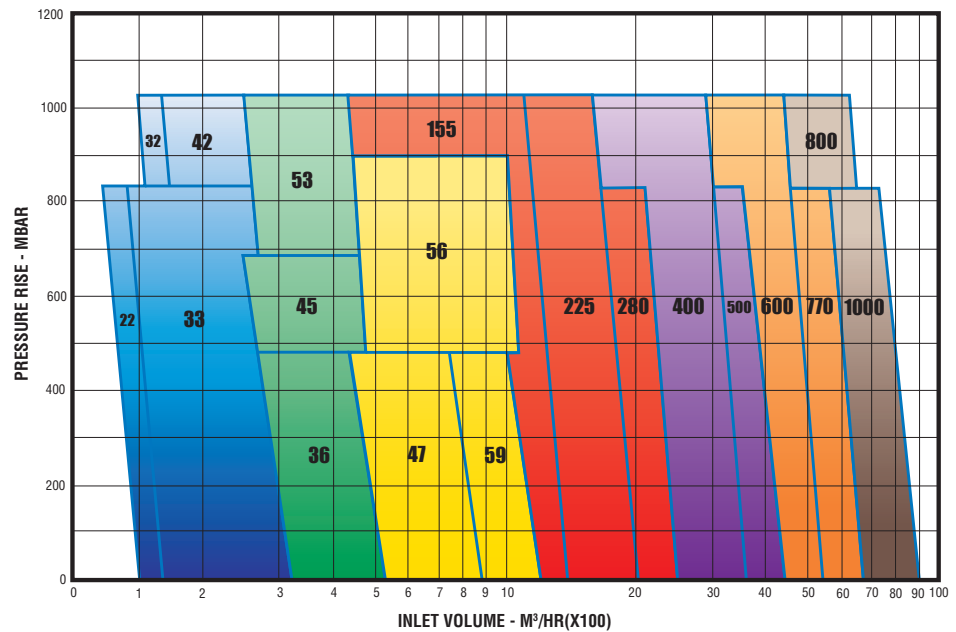
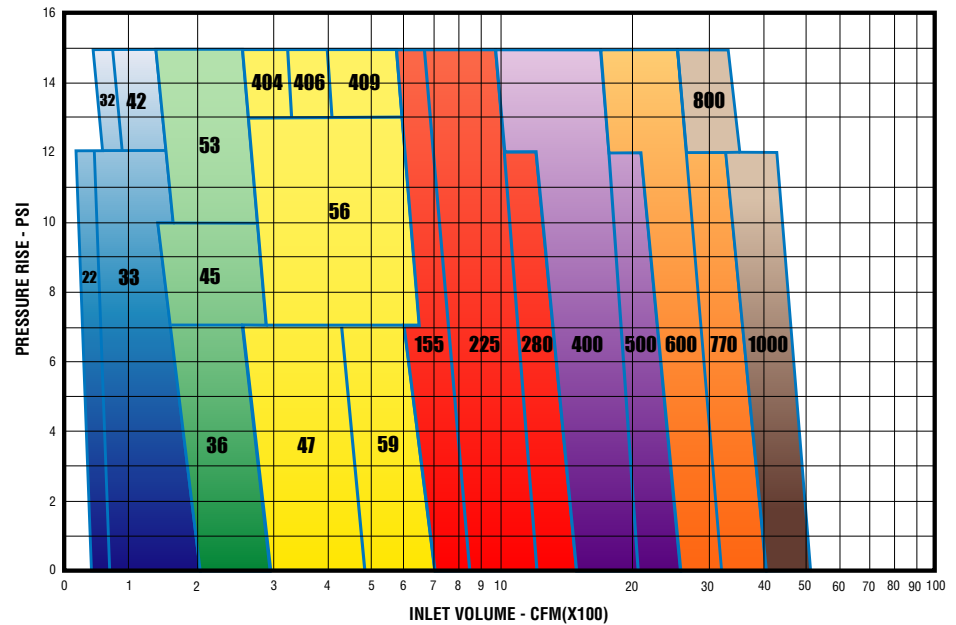
- Air flow from front to rear is optimized for personnel safety and equipment reliability.
- Access to air filter is convenient and designed for minimal pressure losses, improving reliability and blower efficiency and protecting your investment.
- Blower shaft-mounted fan provides exceptional cooling, reducing enclosure temperature dramatically and extending the life of critical components.
 - No secondary electric cooling fans are necessary with an EASYAIR® X2 package.
- Gauges are provided to monitor blower health as standard equipment and positioned ergonomically for your personnel's safety.
 - Optional equipment and process monitoring configurations are available for specific needs.
- Acoustic enclosure is designed to provide up to 22 dBA free field attenuation, allowing you to meet the specified noise requirements of the jobsite.
 - All access panels are less than 50 lbs (23 kg) allowing safer access to operating and maintenance personnel.
- Largest operating performance range provides you with a multitude of efficient and compact solutions so your requirements are satisfied.

Servicing and Maintaining Your Investment

Roots owns and operates strategically located blower maintenance and repair facilities in the following areas: Connersville, Indiana, Houston, Texas, Skelmersdale, United Kingdom, Mexico City, Mexico, Dubai, UAE, Shanghai, China.

Roots has additional Authorized service capability via an excellent and extensive network of Distributors and Agents.

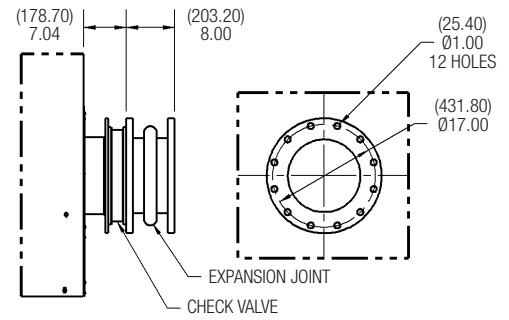
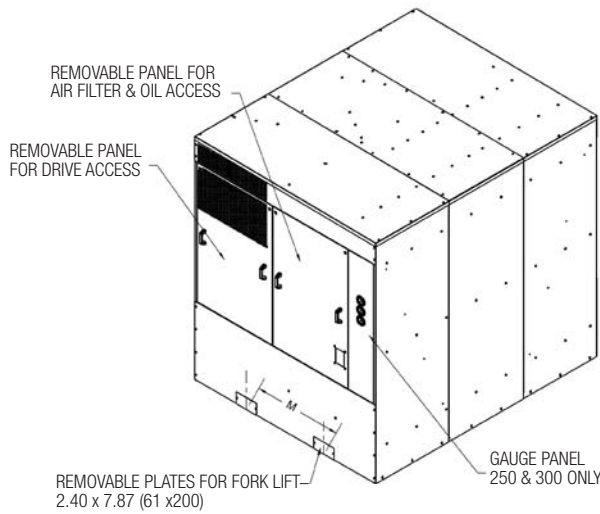
Each facility is well equipped and staffed with factory trained service personnel to meet your unique needs. These facilities regularly service competitor units and keep critical parts on hand for expedited delivery. Roots warrants all authorized maintenance and repair work with one year coverage on all parts and workmanship. Certified ISO-9001.



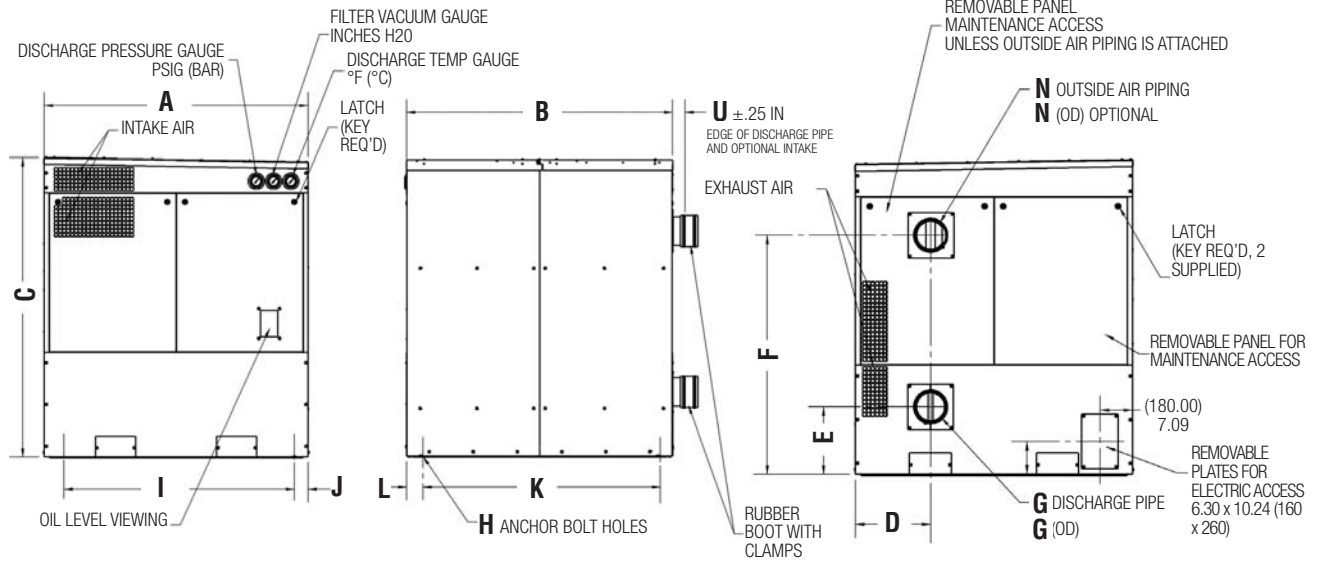
Warranty

Simply put, Dresser Roots offers the best warranty and support in the industry.

Applicable Series or Model	Designation or Gear Diameter	Warranty period-months from date of original unit start-up/months from date of original shipment, whichever occurs first
Bare Shaft Unit		
URAI® & URAI-J™ including DSL	2½ - 7 inch	24/30
RAM™ & RAM-J™	4½ - 6 inch	24/30
RAM-X™	155, 225, 280, 400 & 500	24/30
RAM-X™	600, 770, 800 & 1000	12/18
Standard Factory Package (Note that Bare Shaft Blowers are covered separately above. Explicitly not included in Standard Factory Package warranty are drive belts, filter elements, hoses and fittings, gauges and switches.)		
EasyAir® X2	50, 65, 100, 150 & 200	18/24
EasyAir® X2	250 & 300	12/18



VIEW OF EAX2 300 FLANGED DISCHARGE CONNECTION



ALL DIMENSIONS IN INCHES
DIMENSIONS SHOWN () ARE MILLIMETERS

Model	A	B	C	D	E	F	G	G (OD)	H	BLOWER SIZE	APPROX WEIGHT EXCLUDING MOTOR
EAX2 50	43.31 (1100)	39.36 (1000)	46.25 (1175)	10.88 (276.5)	7.66 (194.5)	33.53 (851.7)	2.00 (50)	2.38 (60.3)	0.78 (20)	URAI 22, 32, 33, 42	450-525 LBS
EAX2 65	43.31 (1100)	39.36 (1000)	46.25 (1175)	10.88 (276.5)	7.66 (194.5)	33.53 (851.7)	2.50 (65)	2.88 (73)	0.78 (20)	URAI 36, 45, 53	600-650 LBS
EAX2 100	49.21 (1250)	47.24 (1200)	59.05 (1500)	10.45 (265.5)	9.23 (234.5)	46.54 (1182)	4.00 (100)	4.50 (114)	0.78 (20)	URAI 47, 56, 59, RAM 404, 406, 409	900-1125 LBS
EAX2 150	60.03 (1250)	61.02 (1550)	67.91 (1725)	16.30 (414)	14.60 (371)	51.65 (1312)	6.00 (150)	6.60 (168)	0.78 (20)	RAMX 155, 225, 280	1650-1775 LBS
EAX2 200	66.93 (1700)	70.87 (1800)	80.70 (2050)	19.72 (500.9)	17.96 (456.3)	59.80 (1519)	8.00 (200)	8.63 (219)	0.78 (20)	RAMX 400, 500	2425-2550 LBS
EAX2 250	76.77 (1950)	90.55 (2300)	91.53 (2325)	24.25 (641.5)	16.98 (431.4)	69.50 (1765.2)	10.00 (250)	10.75 (273)	0.78 (20)	RAMX 600, 770	3650-3900 LBS
EAX2 300	83.66 (2125)	102.36 (2600)	97.44 (2475)	27.85 (707.5)	19.93 (506.4)	77.17 (1960.1)	12.00 (300)	12" 150# FLG	0.78 (20)	RAMX 800, 1000	4950-5450 LBS

Model	I	J	K	L	M	N	N (OD)	U	BLOWER SIZE	APPROX WEIGHT EXCLUDING MOTOR
EAX2 50	37.03 (940.5)	3.14 (79.95)	32.83 (834)	3.27 (83)	23.62 (600)	3.00 (76.2)	3.50 (88.9)	3.00 (75)	URAI 22, 32, 33, 42	450-525 LBS
EAX2 65	37.03 (940.5)	3.14 (79.95)	32.83 (834)	3.27 (83)	23.62 (600)	3.00 (76.2)	3.50 (88.9)	3.00 (75)	URAI 36, 45, 53	600-650 LBS
EAX2 100	42.93 (1090.5)	3.14 (79.95)	40.71 (1034)	3.27 (83)	23.62 (600)	4.00 (100)	4.50 (114)	3.00 (75)	URAI 47, 56, 59, RAM 404, 406, 409	900-1125 LBS
EAX2 150	53.76 (1365.5)	3.14 (79.95)	54.48 (1384)	3.27 (83)	27.55 (700)	6.00 (150)	6.60 (168)	3.00 (75)	RAMX 155, 225, 280	1650-1775 LBS
EAX2 200	60.65 (1540.5)	3.14 (79.95)	64.33 (1634)	3.27 (83)	33.46 (850)	8.00 (200)	8.63 (219)	6.30 (160)	RAMX 400, 500	2425-2550 LBS
EAX2 250	68.77 (1747)	3.99 (101.5)	84.17 (2138)	3.19 (81)	35.83 (910)	12.00 (300)	12.75 (323.9)	9.72 (247)	RAMX 600, 770	3650-3900 LBS
EAX2 300	75.67 (1922)	3.99 (101.5)	95.98 (2438)	3.19 (81)	35.83 (910)	12.00 (300)	12.75 (323.9)	SEE FLG VIEW	RAMX 800, 1000	4950-5450 LBS



View with front panels removed.



Discharge pressure, filter vacuum and discharge temperature gauges are standard.



Automatic V-belt drive tensioning system.



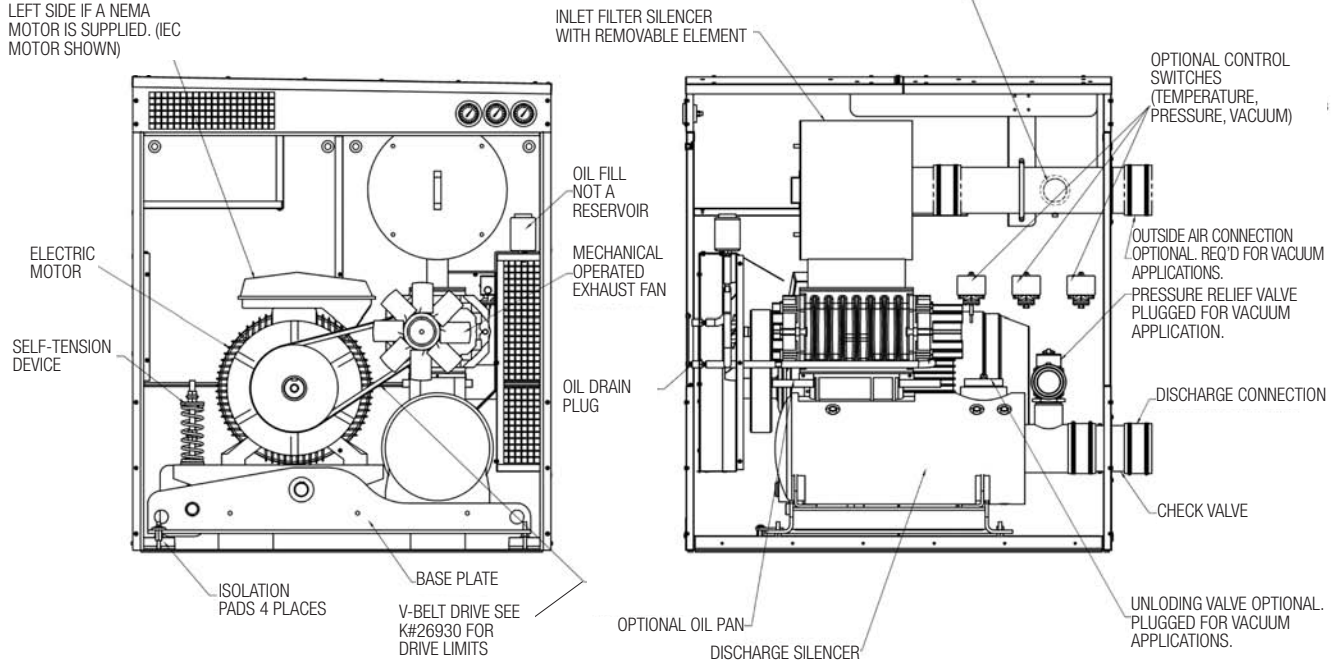
Oil fill level site glass is visible without opening panels.



View with rear panels removed.

THIS CONDUIT BOX MAY BE LOCATED ON THE LEFT SIDE IF A NEMA MOTOR IS SUPPLIED. (IEC MOTOR SHOWN)

VACUUM RELIEF VALVE CONNECTION FOR VACUUM APPLICATIONS. NOT AVAILABLE ON PRESSURE APPLICATIONS.



Dresser Roots

Houston, Texas Headquarters • U.S. Toll Free Phone: 1 877-363-ROOT(S) (7668) • Direct Phone: +1 832-590-2600
 Connorsville, Indiana Operations • U.S. Toll Free Phone: 1 877-442-7910 • Direct Phone: +1 765-827-9285
 United Kingdom Operations • Phone: +44 (0) 1695 52600
 USA/Canada Sales • Phone: +1 773-444-3360
 Houston, Texas Factory Service • Phone: +1 713-896-4810
 Mexico City Sales and Factory Service • Phone: +52 55 5889 5811
 Dubai Sales and Factory Service • Phone: +971 4-8855481
 Malaysia Sales • Phone: +60 3 2267 2600
 China Sales • Phone: +86 10 8486 2440
 Shanghai Factory Service • Phone: +86 21 5858 7638

©2010 Dresser, Inc. all rights reserved. • Printed in the U.S.A. • All information subject to change without notice. • Universal RAI and EASYAIR are registered trademarks of Dresser, Inc. • ROOTS, RAM X, and WHISPAIR, are trademarks of Dresser, Inc.

